

**SPECIFICATIONS**

**Mechanical**

**Contact Retention Force:** 0.91kg (2.00Lb) min.  
**Contact Engagement Force:** 0.34kg (0.75Lb) max.  
**Contact Separation Force:** 0.021kg (0.05Lb) min.  
**Durability:** 500 Cycles

**Electrical**

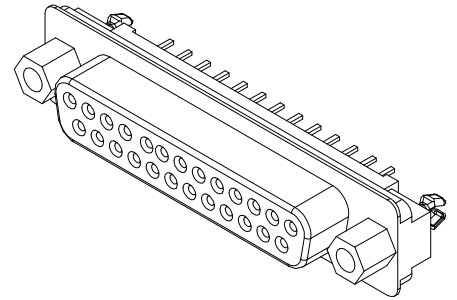
**Current Rating:** 3A  
**Contact Resistance:** 35mW max.  
**Dielectric Withstanding Voltage:** 1000V AC/1min min.  
**Insulation Resistance:** 5000MW min.

**Physical**

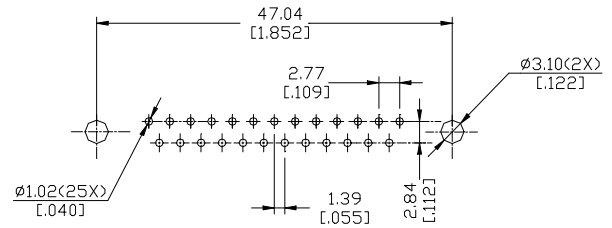
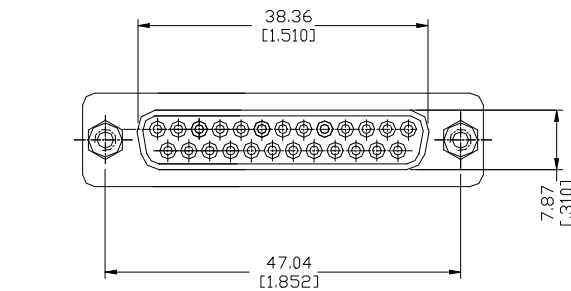
**Housing:** Thermoplastic, UL 94V-0 rated in Black Color  
**Contact:** Copper alloy  
**Plating:** See "ORDERING INFORMATION"  
**Operating Temperature:** -55 to +105  
**Recommended Thickness of PCB:** 1.57[.062]

**D-SUB Connector**

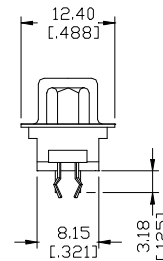
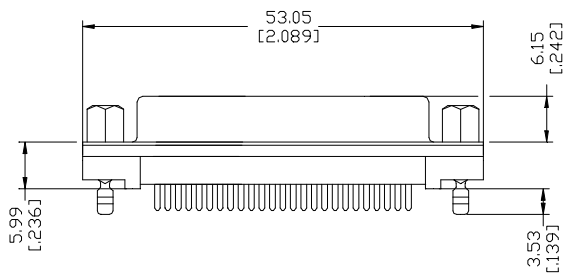
**DT Series**  
**Straight Angle Type, T/H**  
**2.77mm [.109"] Pitch**  
**25 Pos.**



**DRAWING**



RECOMMENDED P.C.B. LAYOUT



**ORDERING INFORMATION**

**PRODUCT NO.:** DT 0 1 3 1 3 - F4A3 - 4F

